

CODE	Dn	D1	L1	L	H
19SME32	32	46	34	70	65
19SME40	40	55	41	84	75
19SME50	50	67	42	87	86
19SME63	63	83	47	97	100

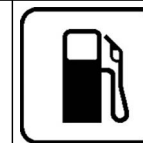


**SMARTFLEX™**

ITEM:  
**SME - SMEN**

C:\Vault\_Temp\Disegni\Schede Tecniche\Smartflex metric\Single wall system\SM10000.dwg

DESC: STRAIGHT CONNECTOR / COUPLER -  
ELECTROFUSION  
MANICOTTO SINGOLA PARETE  
ELETTROSALDABILE

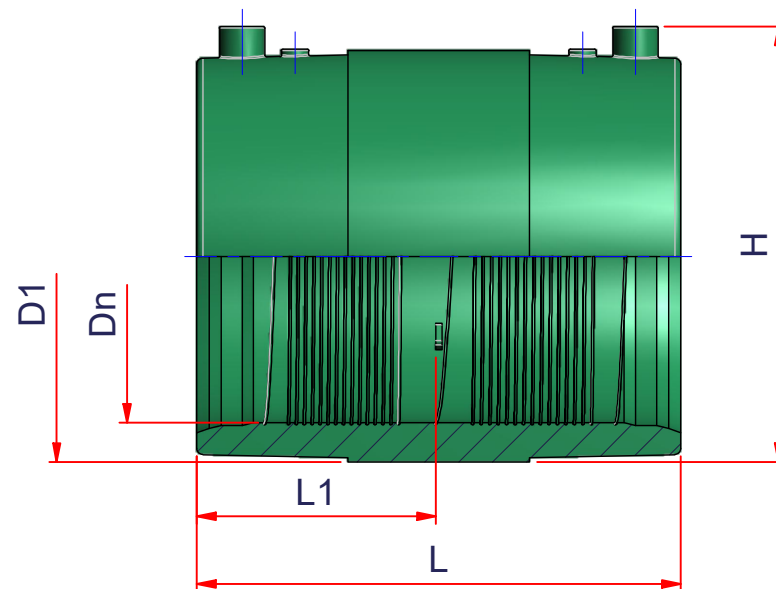


DRAWING No:  
**SM10000**

SHEET OF REV.  
1 4 -5

[www.nupiindustriaitaliane.com](http://www.nupiindustriaitaliane.com) - [info@nupinet.com](mailto:info@nupinet.com)

All dimensions have to be considered in millimeters with 5% tolerance if not otherwise mentioned



CODE	Dn	D1	L1	L	H
19SMEN90	90	113	72	145	128
19SMEN110	110	134	77	155	150

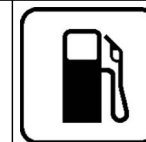


**SMARTFLEX™**

ITEM:  
**SME - SMEN**

C:\Vault\_Temp\Disegni\Schede Tecniche\Smartflex metric\Single wall system\SM10000.dwg

DESC: STRAIGHT CONNECTOR / COUPLER -  
ELECTROFUSION  
MANICOTTO SINGOLA PARETE  
ELETTROSALDABILE

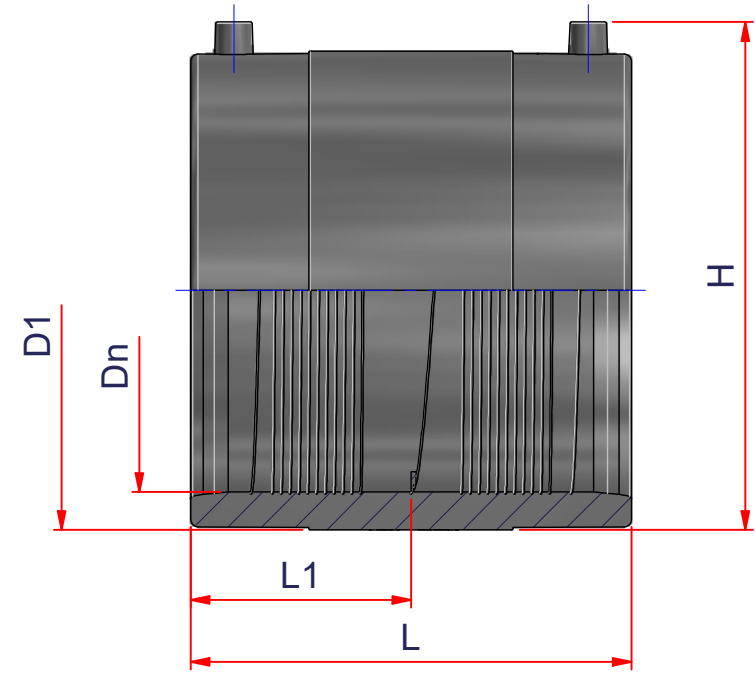


DRAWING No:  
**SM10000**

SHEET OF REV.  
2 4 -5

[www.nupiindustriaitaliane.com](http://www.nupiindustriaitaliane.com) - [info@nupinet.com](mailto:info@nupinet.com)

All dimensions have to be considered in millimeters with 5% tolerance if not otherwise mentioned



CODE	Dn	D1	L1	L	H
19SMEN160	160	191	86	173	201
19SMEN200	200	236	92	185	243
19SMEN250	250	296	106	212	300



**SMARTFLEX™**

ITEM:  
**SME - SMEN**

C:\Vault\_Temp\Disegni\Schede Tecniche\Smartflex metric\Single wall system\SM10000.dwg

DESC: STRAIGHT CONNECTOR / COUPLER -  
ELECTROFUSION  
MANICOTTO SINGOLA PARETE  
ELETTROSALDABILE

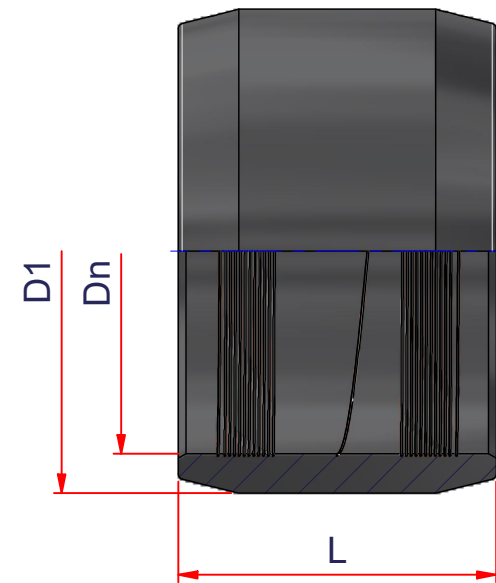


DRAWING No:  
**SM10000**

SHEET OF REV.  
3 4 -5

www.nupiindustriaitaliane.com - info@nupinet.com

All dimensions have to be considered in millimeters with 5% tolerance if not otherwise mentioned



CODE	Dn	D1	L
19SMEN280	280	338	270
19SMEN315	315	375,5	251



**SMARTFLEX™**

ITEM:  
**SME - SMEN**

C:\Vault\_Temp\Disegni\Schede Tecniche\Smartflex metric\Single wall system\SM10000.dwg

DESC: STRAIGHT CONNECTOR / COUPLER -  
ELECTROFUSION  
MANICOTTO SINGOLA PARETE  
ELETTROSALDABILE



DRAWING No:  
**SM10000**

SHEET OF	REV.
4 4	-5

[www.nupiindustriaitaliane.com](http://www.nupiindustriaitaliane.com) - [info@nupinet.com](mailto:info@nupinet.com)

All dimensions have to be considered in millimeters with 5% tolerance if not otherwise mentioned