

CODE	Dn	L1	L	H1	H
19SGE32	32	35	57	79	65



**SMARTFLEX™**

ITEM: **SGE**

C:\Vault\_Temp\Disegni\Schede Tecniche\Smartflex metric\Single wall system\SM10002.dwg

DESC: ELBOW 90° ELECTROFUSION  
CURVA SINGOLA PARETE A 90°  
ELETTROSALDABILE

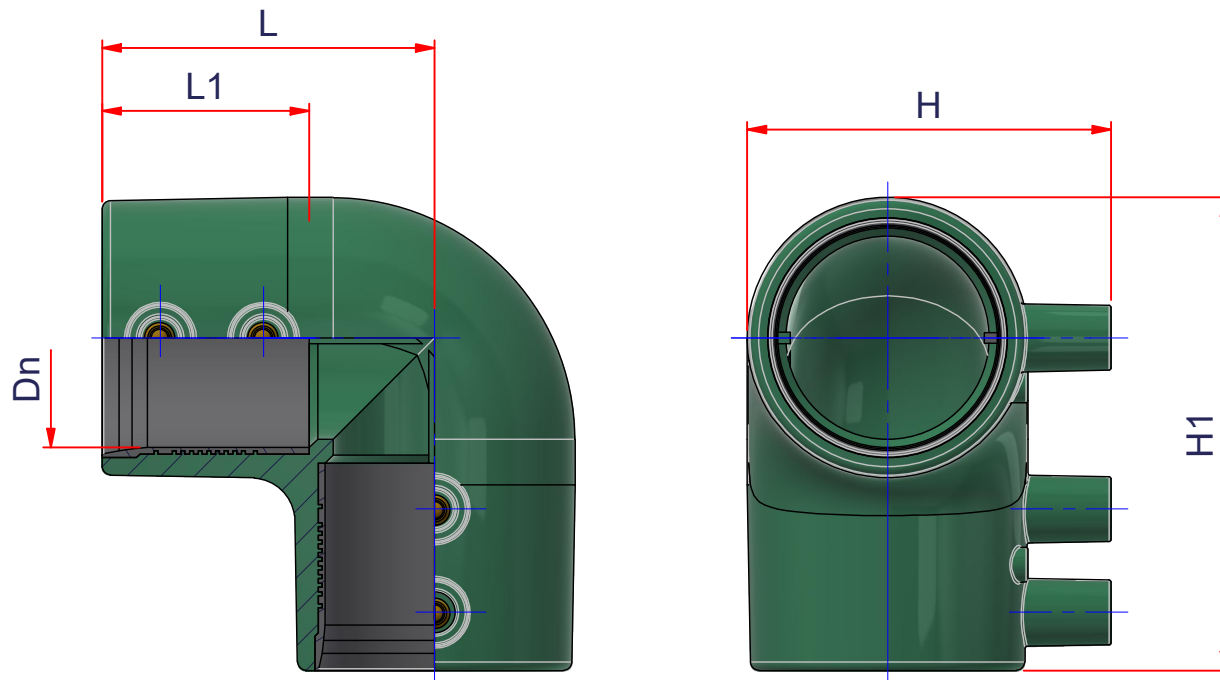


DRAWING No:  
**SM10002**

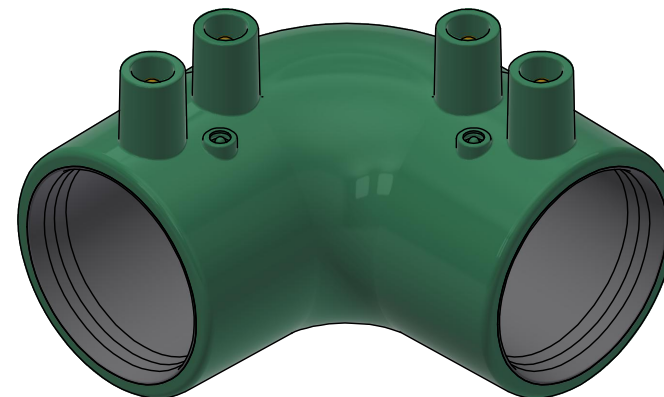
SHEET OF	REV.
1 4	-6

www.nupiindustriaitaliane.com - info@nupinet.com

All dimensions have to be considered in millimeters with 5% tolerance if not otherwise mentioned



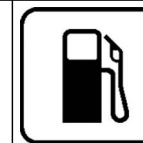
CODE	Dn	L1	L	H1	H
19SGE40	40	41	68	92	72
19SGE50	50	47	77	107	84
19SGE63	63	53	88	126	100
19SGE90	90	68	120	174	132
19SGE110	110	81	140	205	152



**SMARTFLEX™**

ITEM: **SGE**

DESC: ELBOW 90° ELECTROFUSION  
CURVA SINGOLA PARETE A 90°  
ELETROSALDABILE

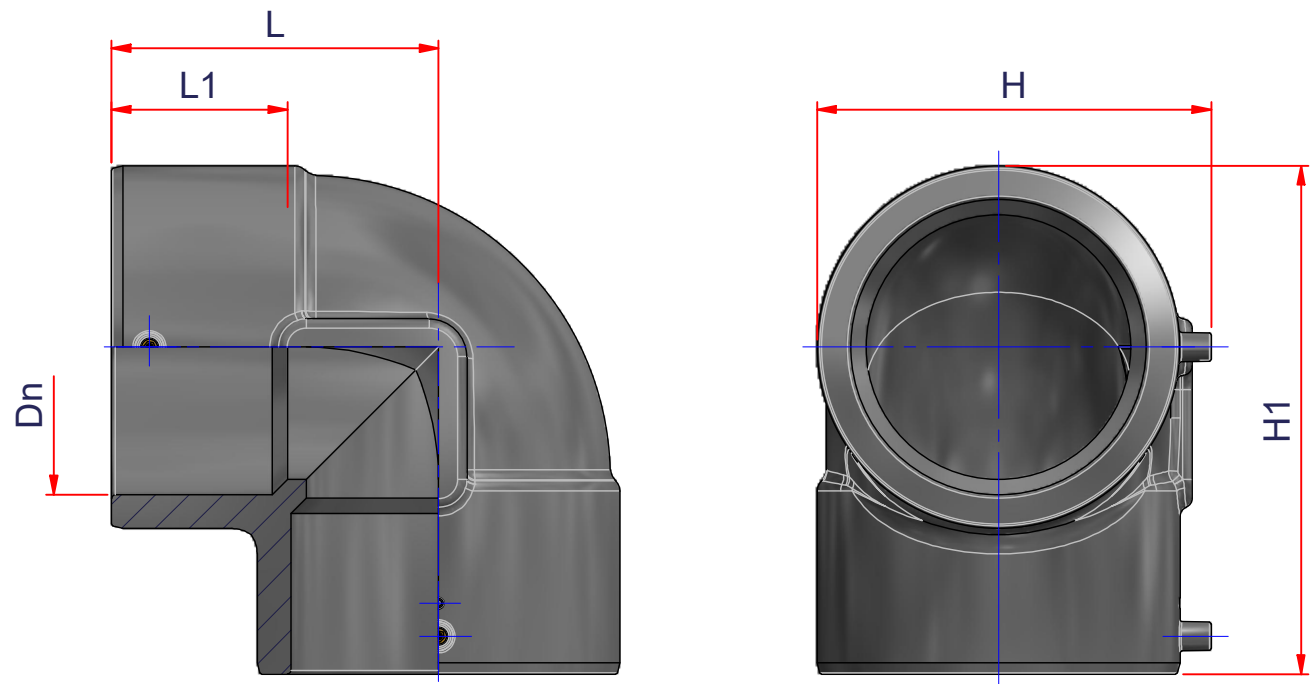


DRAWING No:  
**SM10002**

SHEET OF	REV.
2 4	-6

www.nupiindustriaitaliane.com - info@nupinet.com

All dimensions have to be considered in millimeters with 5% tolerance if not otherwise mentioned



CODE	Dn	L1	L	H1	H
19SGE160	160	90	173	269	208
19SGE200	200	100	213	334	253,5



**SMARTFLEX™**

ITEM: **SGE**

DESC: ELBOW 90° ELECTROFUSION  
CURVA SINGOLA PARETE A 90°  
ELETROSALDABILE

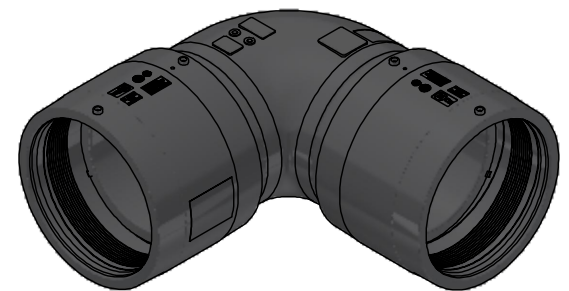
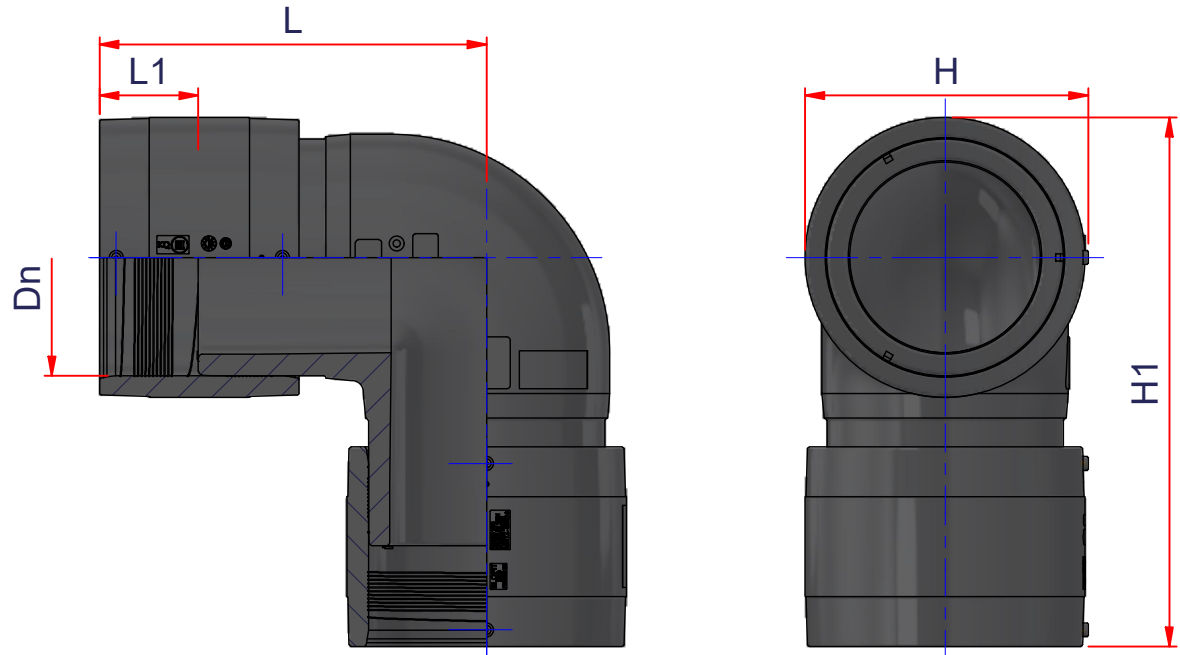


DRAWING No:  
**SM10002**

SHEET OF 3 4 REV. -6

www.nupiindustriaitaliane.com - info@nupinet.com

All dimensions have to be considered in millimeters with 5% tolerance if not otherwise mentioned



CODE	Dn	L1	L	H1	H
19SGE250	250	106	411	561	300
19SGE280	280	135	460	629	338
19SGE315	315	126	484	672	375



**SMARTFLEX™**

ITEM: **SGE**

DESC: ELBOW 90° ELECTROFUSION  
CURVA SINGOLA PARETE A 90°  
ELETROSALDABILE



DRAWING No:  
**SM10002**

SHEET OF REV.  
4 4 -6

www.nupiindustriaitaliane.com - info@nupinet.com

All dimensions have to be considered in millimeters with 5% tolerance if not otherwise mentioned